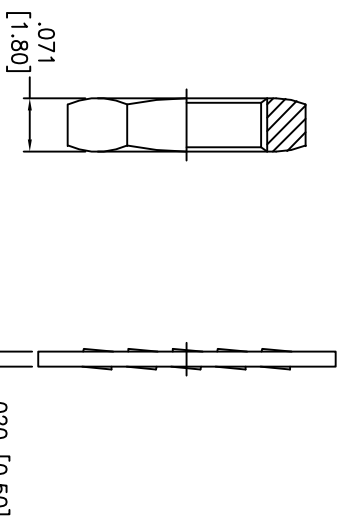
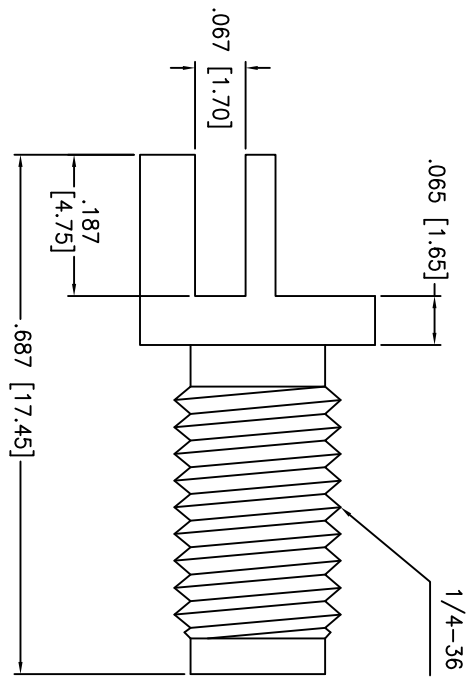
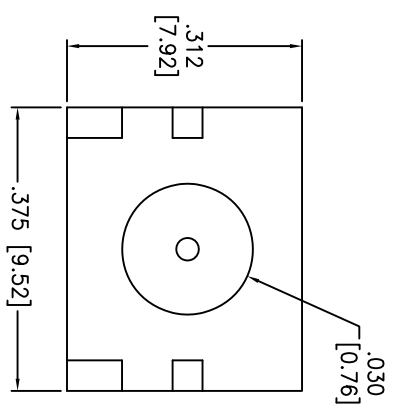


APPROVED: \_\_\_\_\_  
 DATE: \_\_\_\_\_ TITLE: \_\_\_\_\_

Rev	AWO #	Description	Date	Appr
-		RELEASED	4/22/04	
A		REDRAWN	3/09/11	



BODY	BRASS	GOLD
PIN	BRASS	GOLD
INSULATOR	TEFLON	NONE
DESCRIPTION	MATERIAL	FINISH

**SPECIFICATIONS:**

Electrical:  
 Frequency range: 0-18 GHz  
 Working Voltage: 250 VRMS max.  
 Dielectric Withstanding Voltage: 750 VRMS min.  
 Contact Resistance: 6 Milliohms max. (Center Contact)  
 Insulator Resistance: 5000 Megohms min. (Outer Contact)  
 Environmental:  
 Lead free, RoHS compliant.

UNLESS OTHERWISE SPECIFIED  
 ALL DIMENSIONS ARE INCHES [MM]  
 TOLERANCES: EXCEPT AS NOTED  
 INCHES: .X ± .10 Ø.X ± .10  
 .XX ± .020 Ø.XXX ± .015  
 .XXX ± .015 Ø.XXXX ± .010

**ADAM TECH**  
 909 Ratway Avenue, Union, NJ 07083  
 Phone: 908-687-5000 Fax: 908-687-5710

TITLE	SMA JACK PCB		
SIZE	PART NO.	REV.	
X	RF2-17-T-17-50-G	A	
REF:	S00049T	SCALE:	NTS
		SHEET	1 OF 1



6 5 4 3 2 1